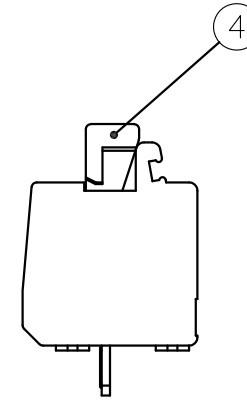
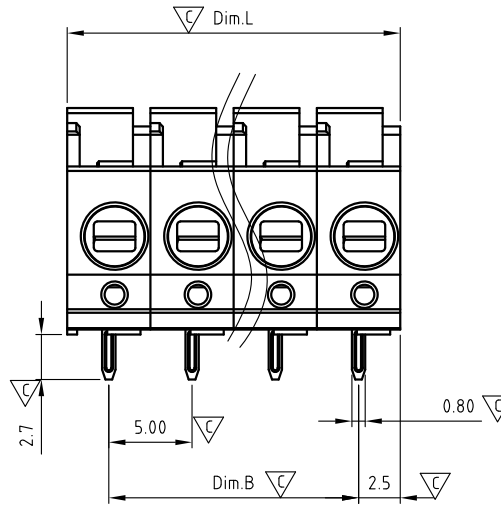
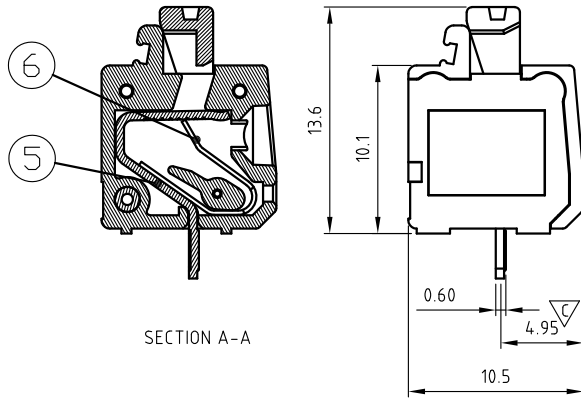
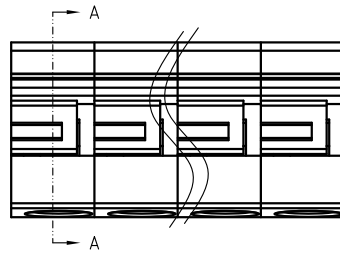
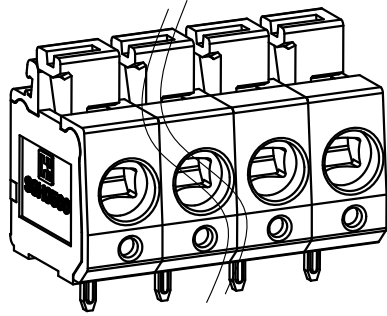


Transfer or duplication of this document as well as the utilisation or communication of its content are not permitted unless express consent is granted. Violations give rise to claims for damages. All rights reserved in case of patent, utility model or design patent registrations.



Technical data

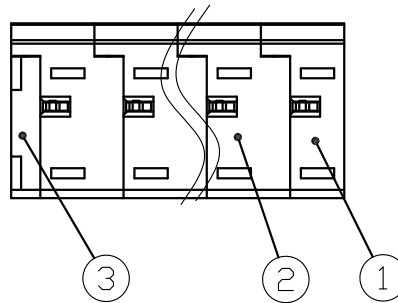
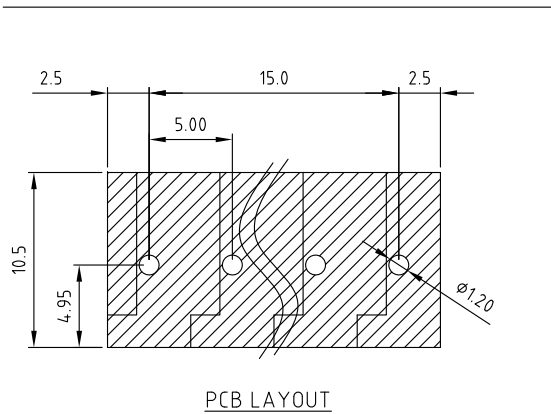
- Nominal voltage: UL 300V/10A (IEC 400V/16A)
PITCH:5.0mm
- Connection capacity:
AWG 26-14 / 0.14-2.5mm²
- Insulation Withstanding Voltage:
AC 1600V/MIN / AC 2290V/MIN
- Insulation Resistance:
1000MΩ or more at DC500V
- Stripping length: 8.0mm
- Using temperature range: -40°C~115°C
Soldering temperature: 250±10°C /5s
- Undimensioned Tolerances:

Dim.L=Px5.0		
Dim.B=(P-1)x5.0		
P= number of poles(1-24P)		
0-30mm	Dim B	Dim L
over 30mm-60mm	±0.15	±0.20
over 60mm-90mm	±0.20	±0.25
over 90mm	±0.25	±0.30
	±0.30	±0.40

- Safety approval:
- RoHS Compliance
- Critical dimension: ▽

SGHO500 xx x 1xx
① ② ③

- Poles 01-24
- Color
0 Black 5 Green
- Packing
100 K Mark / BOX Packing
10K KUNACON Mark / BOX Packing



6	WIRE GUARD	Stainless steel	T=0.25MM	P
5	CONTACT	BRASS	T=0.5MM Tin PLATED	P
4	LEVER	PA66 UL94V-0		P
3	End COVER	PA66 UL94V-0		1
2	MIDDLE BODY	PA66 UL94V-0		P-1
1	SIDE BODY	PA66 UL94V-0		1
ITEM	NAME OF PART	MATERIAL	NOTES	Q'TY
DWG.	NEAL. Zhang	DATE	2023.05.16	UNITS: MM SHEET: 1 OF 1 Tolerance
CHK.	NEAL. Zhang	DATE	2023.09.22	SCALE: NONE 3:1 (:) REV: A X. ±0.50
APP.		DATE		X.XX ±0.30
		TITLE:	SG-HO500-180D Series wire inlet (Horizontal)	X.XX ±0.10
		PART NO.	SGHO500xxx1xx	X° ±1°
		DWG NO.	SG-H500-B101	

REV	△	SIGN	DESCRIPTION	CHK.	DATE



KUNA Contact Technology Co, Ltd
http://www.kunacon.com